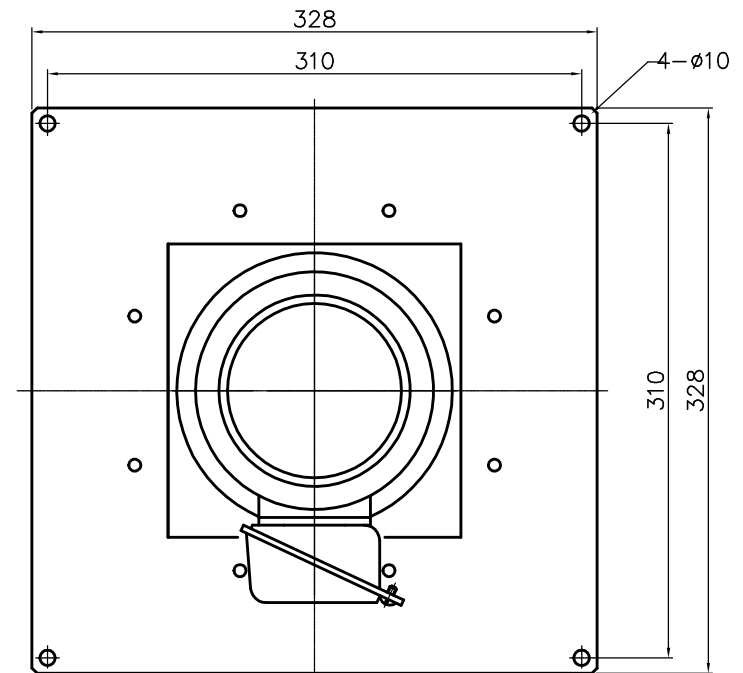
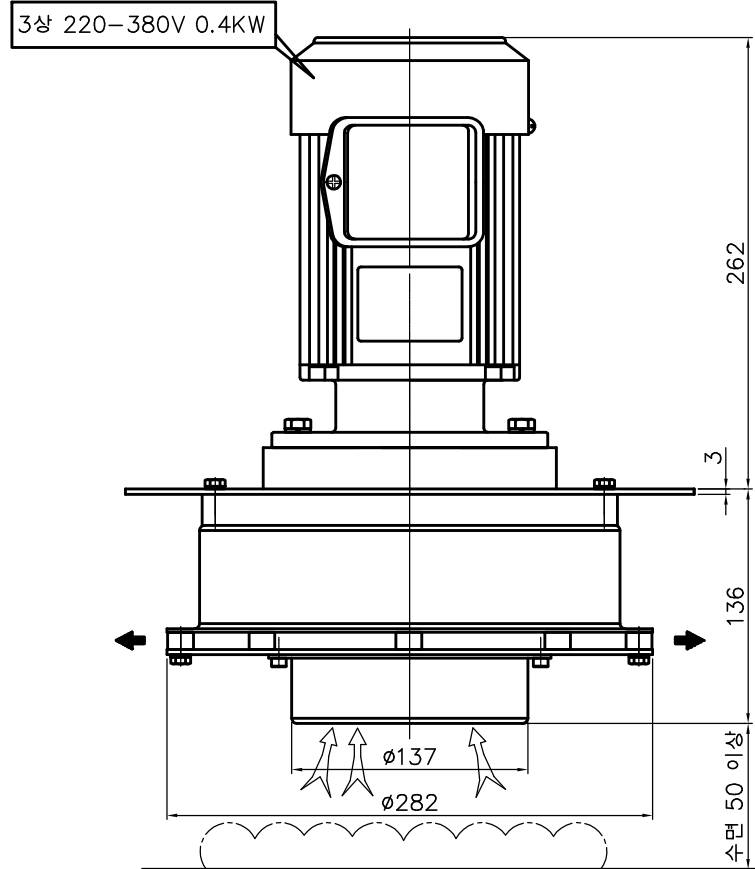
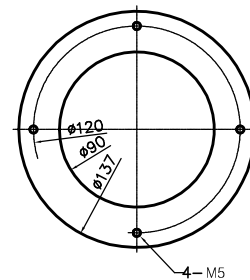


Revision		
NO.	DATE	DESCRIPTION



평면도(위에서 본)



흡입구 상세도

PB-3      중량 17KG

NO.	DESCRIPTION	MAT'L	Q'TY	REMARK
CLIENT	0000	PROJ.	buble free m/c	
	PURE-TEC CO.	TITLE.	외형도	SCALE A3 1/1
APP. BY	CHE'D BY	DES. BY	DWN. BY	DATE
	LEEDNGSE00			2015,04,08
				pbf-out1